

INCREASE YOUR HYGIENE LEVEL
WITH THE HUGME DOOR OPENER

NO MORE OPENING DOORS WITH YOUR HANDS

TRANSFORM THE NORM
hugme



MADE IN GERMANY 

High quality

Extremely robust

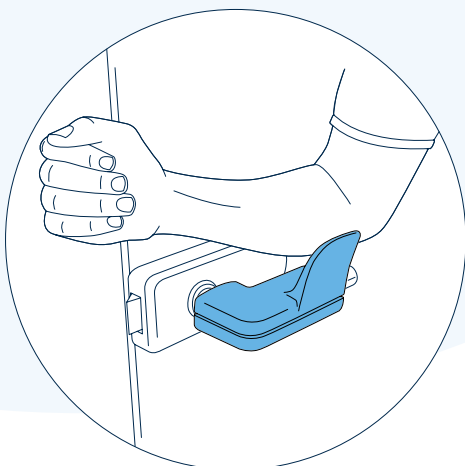
Easy to install

Suitable for most doors

Easy to clean

(Hand) hygiene does not only mean washing and disinfecting hands regularly but starts with minimizing the risk of infection. That's why we have developed hugme – an attachment for all standard door handles that allows us to open doors simply with our elbows, ensuring a safe feeling.

Our motivation for the development of hugme is based on the idea „Transform the Norm“. It can be used everywhere: to improve hygienic access to food, within the field of catering, in doctors' surgeries to rooms and toilets, as well as to reduce the risk of transmission in office environments. With our hygienic door opener you and your fellow human beings feel protected against the transmission of pathogens.



EASY OPENING WITH THE ELBOW OR FOREARM

PASSED LOAD TEST OVER 100,000 CYCLES OF USE

More information at www.sauer-med.com/hugme

WWW.SAUER-MED.COM

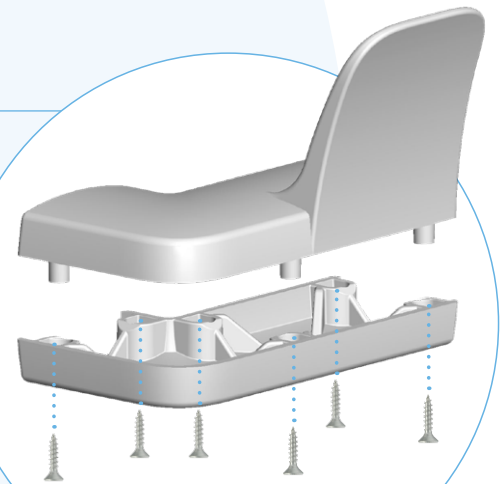
 **sauer
med**



Hugme has been developed in accordance with German quality standards and is particularly characterised by its quick and easy installation: The set contains two attachments each for mounting on the inside and outside of the door, plus six screws for quick installation on each door handle. Hugme features a high degree of stability and is extremely robust without unnecessarily weighing down the door handles.

TECHNICAL SPECIFICATIONS

MANUFACTURER	sauer product GmbH
PRODUCT NAME	hugme
MATERIAL	Polycarbonate
WEIGHT	approx. 82 g per door handle (2 attachments including 6 screws)
SIZE	Height 78 mm Width 110 mm Depth Corpus 59 mm Total door handle depth 85 mm (incl. handle element)
HANDLE-SIZE	Suitable for installation on door handles with a diameter of 18 to 23 mm
SALES UNIT	Set consisting of 2 door attachments for the right and left door handle, each with 2 mounting parts and 6 screws
NOTE	During installation, ensure that the device is installed carefully and properly according to the instructions for use. Not permitted for doors according to EN 179:2008 (escape routes) and doors according to DIN 18 273:1997 (special fire protection doors).

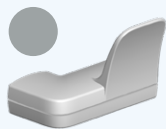


SIMPLE INSTALLATION

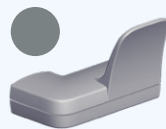
COLOUR VERSIONS



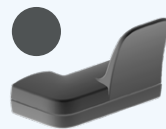
LIGHT GREY
Similar to RAL 7035



SILVER GREY
Similar to RAL 7001



SQUIRREL GREY
Similar to RAL 7000



SLATE GREY
Similar to RAL 7015



JET BLACK
Similar to RAL 9005



TRAFFIC WHITE
Similar to RAL 9016



SULFUR YELLOW
Similar to RAL 1016



SAFFRON YELLOW
Similar to RAL 1017



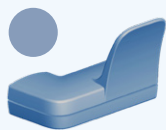
STRAWBERRY RED
Similar to RAL 3018



PASTEL VIOLET
Similar to RAL 4009



PASTEL BLUE
Similar to RAL 5024



PIGEON BLUE
Similar to RAL 5014

Contact sales team: phone +49 151 64 67 20 81 | sales@sauer-med.com